

Figure 69
 SETUP EXIT
 screen; press
 ACT to go
 back to the
 TIME OF
 DAY screen



SETTING THE TIME

When your MiniMed 507 is turned on, the TIME OF DAY screen is normally shown. The time shown by the clock is used to time the insulin delivery of your basal rate(s). Therefore, it is important that the time be set accurately.

To set the time of day:

STEP 1—Press SEL until the SETUP screen is displayed, then press ACT. The SET TIME screen will appear. (See Figure 70.)

STEP 2—Press the ACT button. The screen will show the time with the hours blinking. The words “SET HOURS” will appear on the screen, as shown in Figure 71.

STEP 3—Press the arrow buttons until the correct hour appears on the screen. Make sure “AM or PM” is set correctly.

STEP 4—Press the ACT button to confirm. The minutes will now blink and the words “SET MINUTES” will appear on the screen, as shown in Figure 72.

STEP 5—Press the up or down arrow buttons until the correct minutes are displayed.

STEP 6—Press the ACT button. Now the screen will show the day of the week.

STEP 7—Press the up or down arrows to select the correct day. (See Figure 73 for example.)

STEP 8—Press the ACT button to activate the new time and day setting. The MiniMed will now display the next SET UP screen: AUTO SHUT-OFF. Within 15 seconds it will return to the TIME OF DAY screen.

Figure 70
To set the TIME, press SEL to the SETUP screen, then press ACT

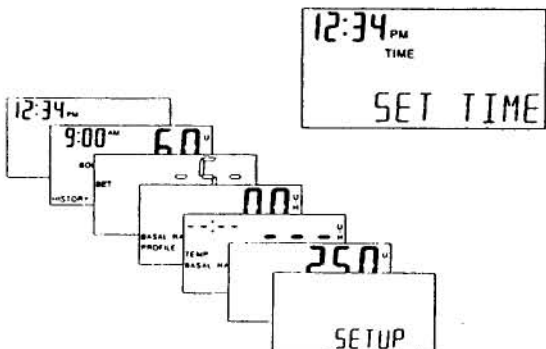


Figure 71
To set the hours: press ACT, then use the arrow buttons

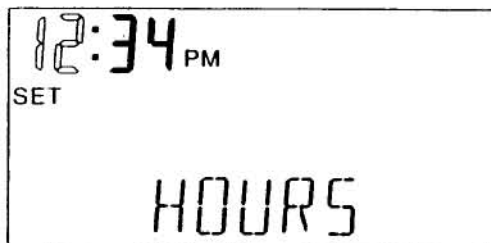


Figure 72
To set minutes: press ACT, then use the arrow buttons

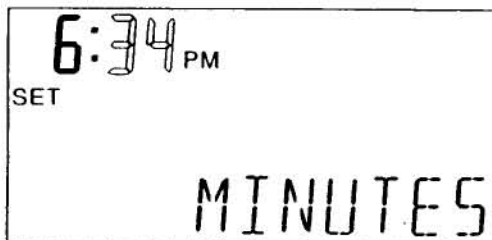
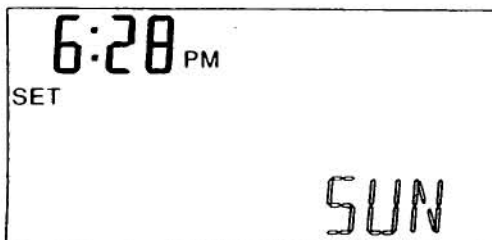


Figure 73
To set the day: press ACT, then use the arrow buttons



Note: Display elements that are blinking are shown outlined.